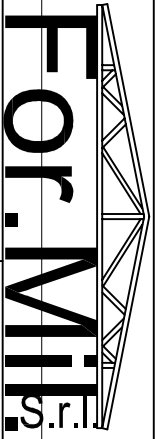
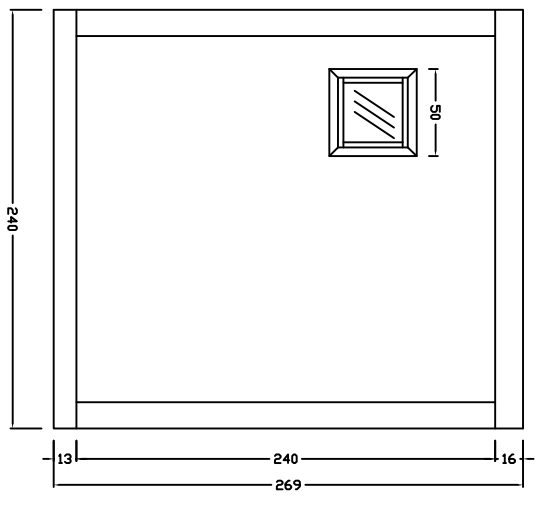
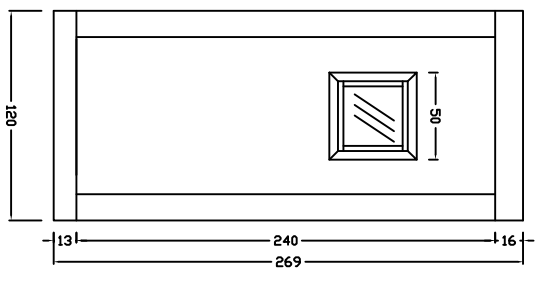
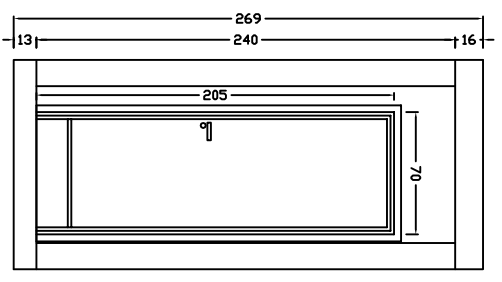
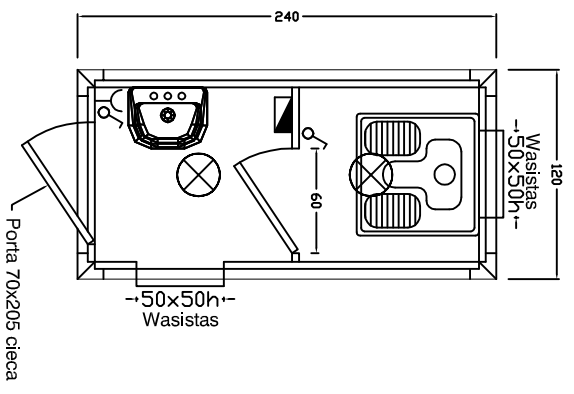


F F F D C B A

# WC4



Compte		Edition		Sheet		Itemref		Quantity		Title/Name, designation, material, dimension etc		Article No./Reference	
WC 4		1		1/1		F.P.						Date	
						Designed by		Checked by		Approved by - date		Filename	
						F.P.B						Date	
												Scale	

RevNo	Revision note	Date	Signature	Checked
-------	---------------	------	-----------	---------

4

3

2

1