

F

F

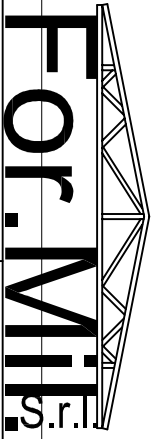
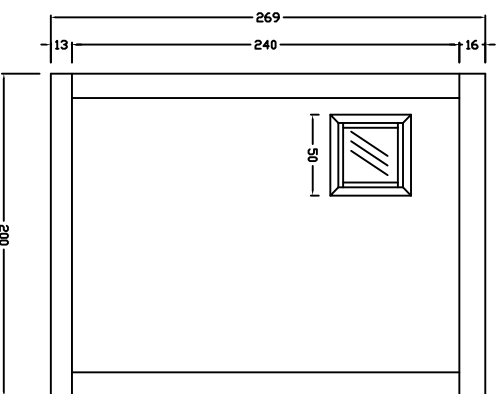
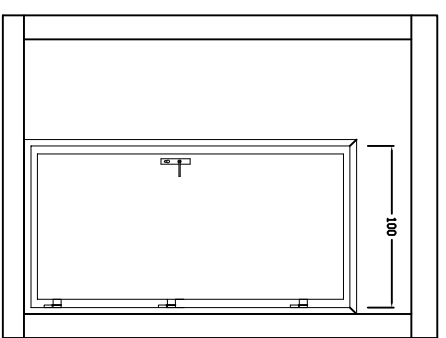
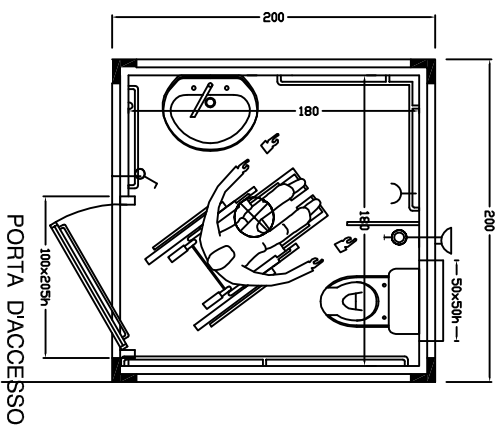
D

C

B

A

WC 30



Titolo		WC 30
Compte		
Edition		1
Sheet		1/1

Itemref	Quantity	Title/Name, designation, material, dimension etc	Article No./Reference
Designed by F.P.		Approved by - date	Date
Checked by FPB		Filename F.P.	Scale

RevNo	Revision note	Date	Signature	Checked
1				
2				
3				
4				