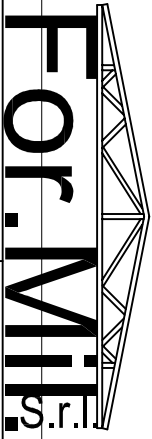
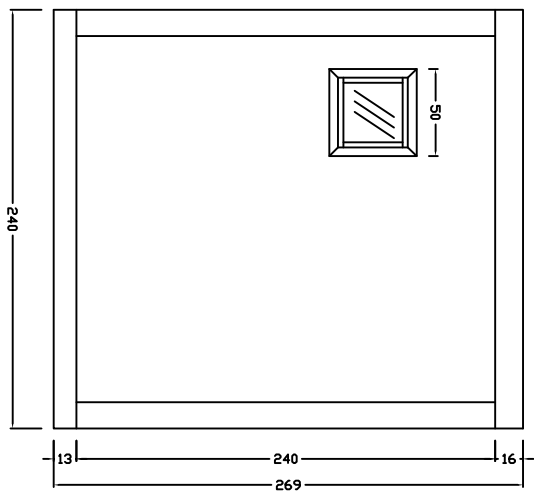
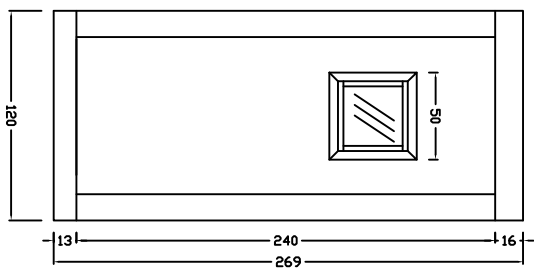
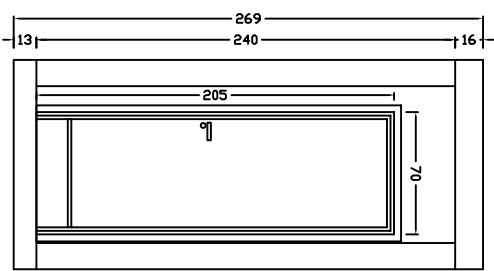
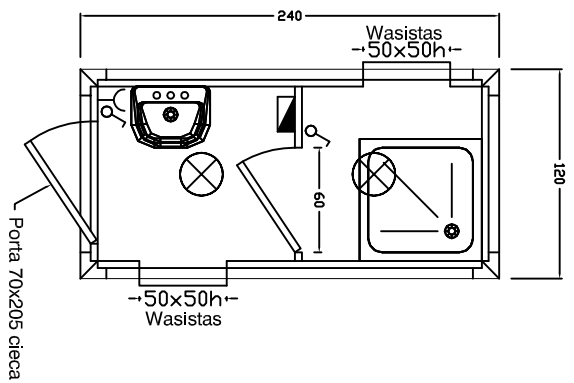


T F E D C B A

WCS5



Titolo		WCS5	
Commite			
Edition		1	
Sheet		1/1	

Itemref	Quantity	Title/Name, designation, material, dimension etc	Article No./Reference
Designed by			
Checked by			
Approved by - date			
Filename			
Date			
Scale			

RevNo	Revision note	Date	Signature	Checked
1				
2				
3				
4				