

T

F

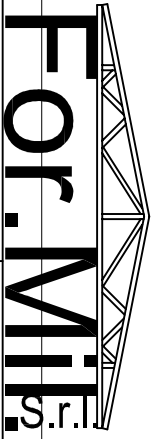
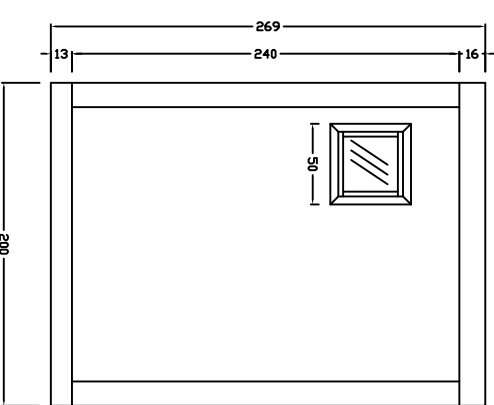
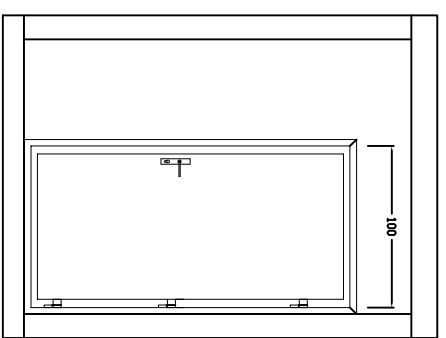
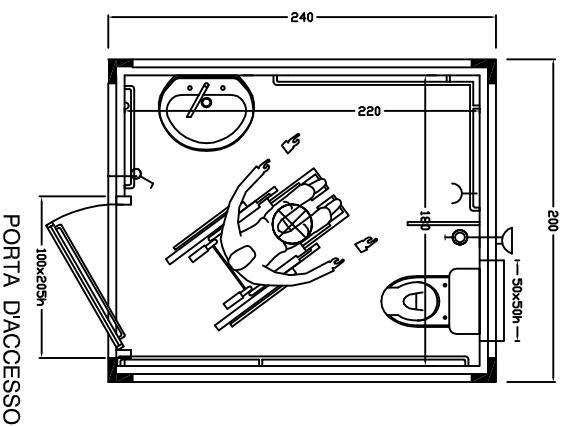
D

C

B

A

WC 32



Titolo

WC 32

Commite

Edition

1

Sheet

1/1

Itemref Quantity  
Designed by

Title/Name, designation, material, dimension etc  
Checked by

Approved by - date

Filename  
F.P.

Article No./Reference  
Date

Scale

RevNo

Revision note

Date

Signature

Checked

4

3

2

1

T

F

D

C

B

A