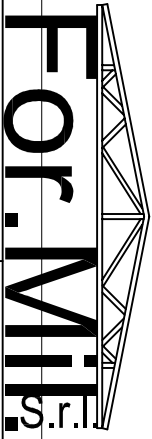
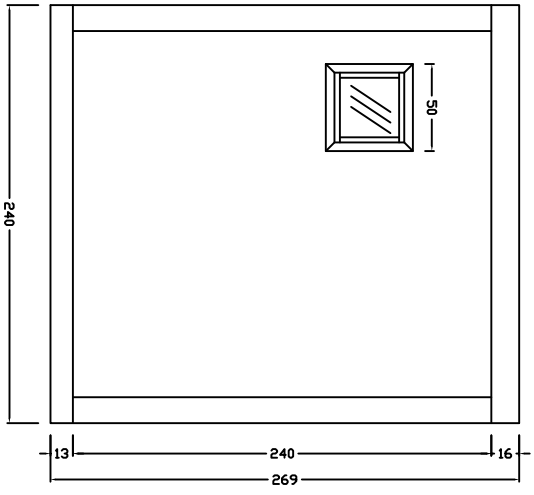
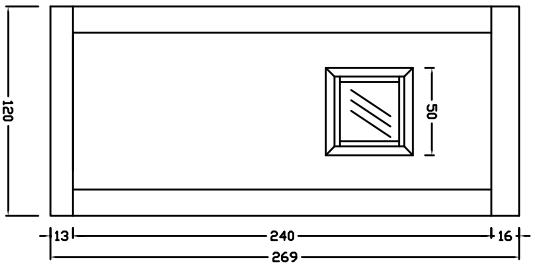
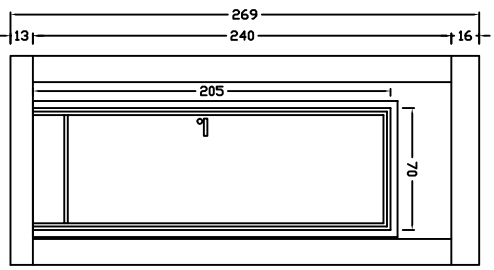
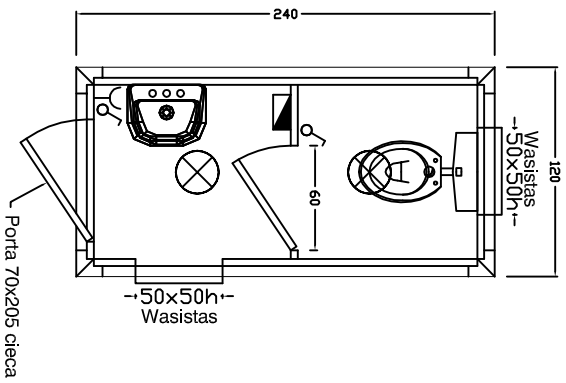


T F E D C B A

WC3



Titolo		WC3	
Compte			
Edition		1	
Sheet		1/1	
Itemref	Quantity	Title/Name, designation, material, dimension etc	
Designed by	FPB	Checked by	Approved by - date
F.P.		Filename	Article No./Reference
		Date	Scale

RevNo	Revision note	Date	Signature	Checked
1				
2				
3				
4				