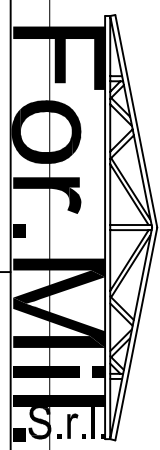
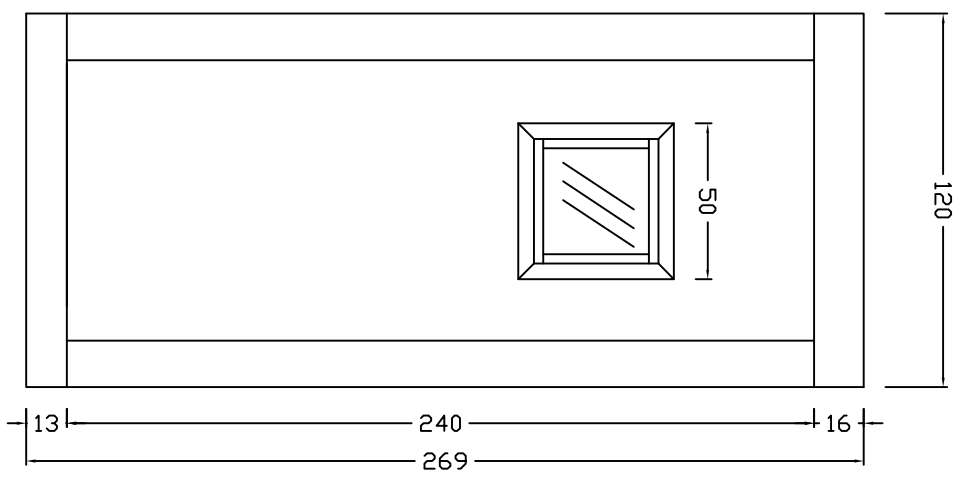
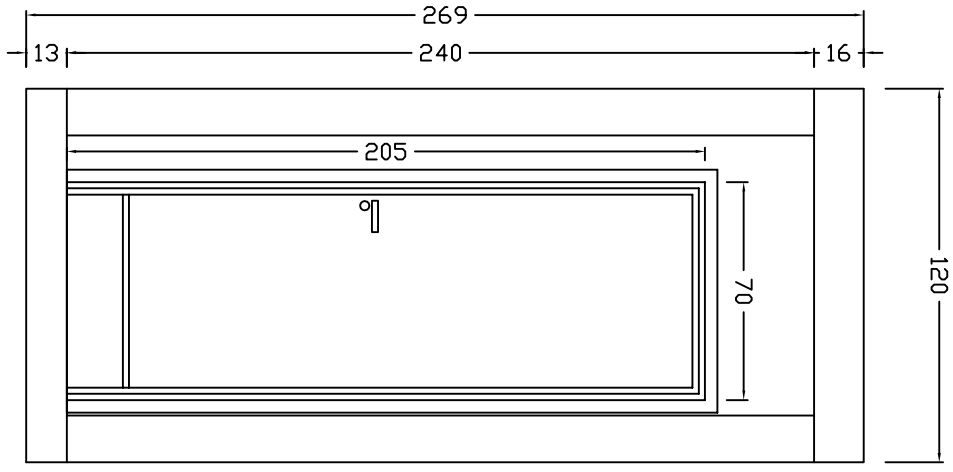
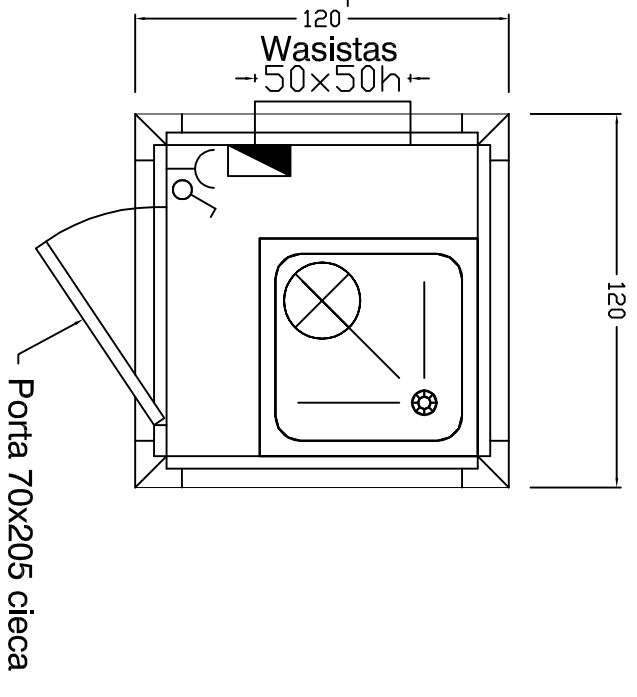


F F F D C B A

# WC2



Titolo		WC 2		Itemref		Quantity		Title/Name, designation, material, dimension etc		Article No./Reference	
Compte		WC 2		F.P.		Designed by		Checked by		Date	
				Edition		1		Approved by - date		Scale	
				Sheet		1/1		Filename			

RevNo	1	Revision note	
Date		Signature	
Checked	4		