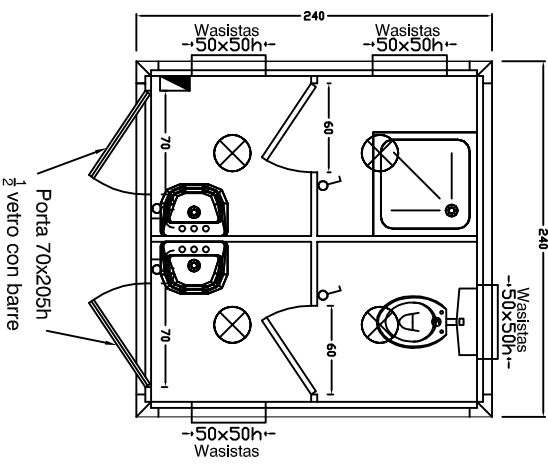
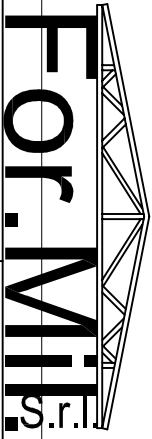
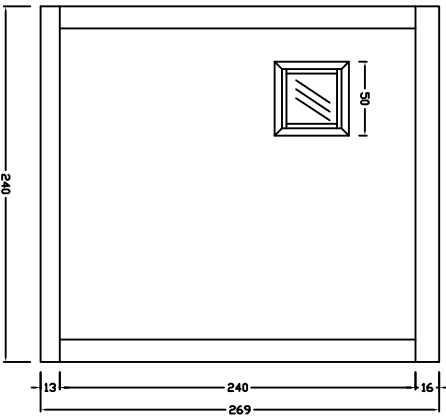
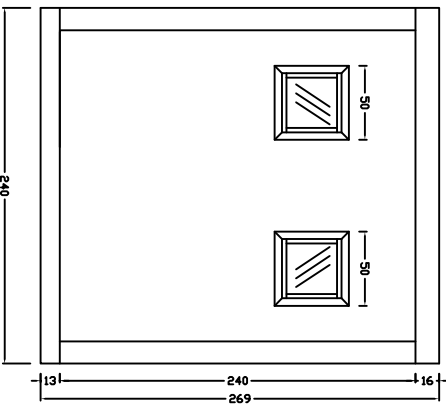
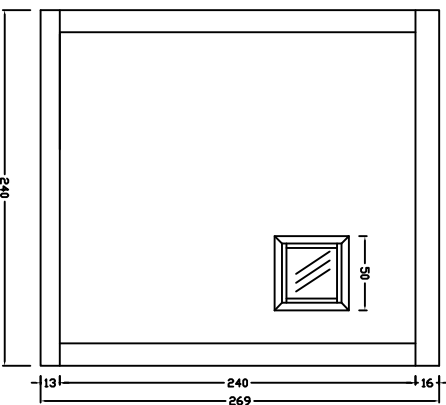
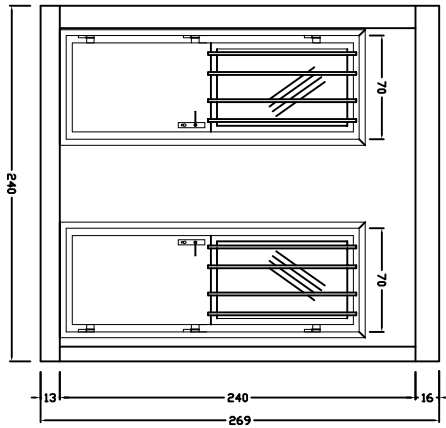


T F E D C B A



WC19



Titolo		WC 19	
Compte			
Edition	1	Sheet	1/1
Itemref	Quantity	Title/Name, designation, material, dimension etc	Article No./Reference
Designed by	F.P.	Checked by	FPB
Approved by - date		Filename	
Date		Scale	

RevNo	1	Revision note	
Date		Signature	
Checked	4		

T F E D C B A