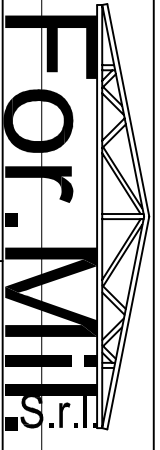
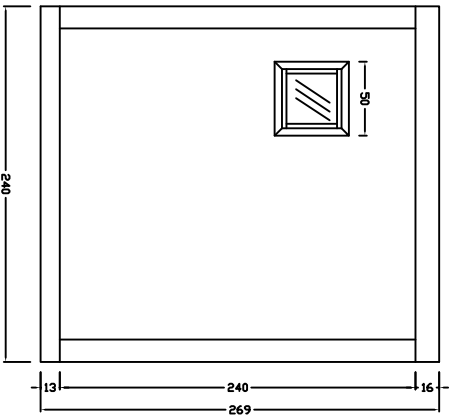
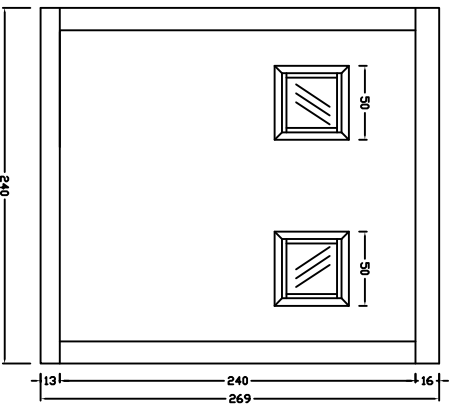
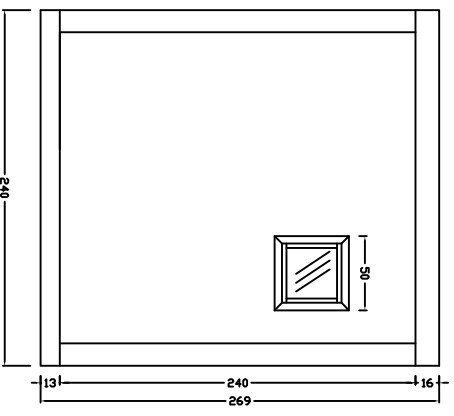
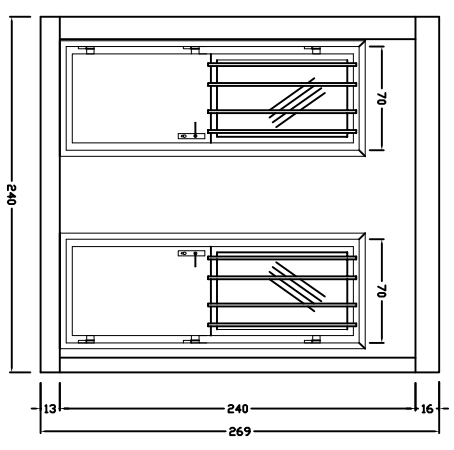
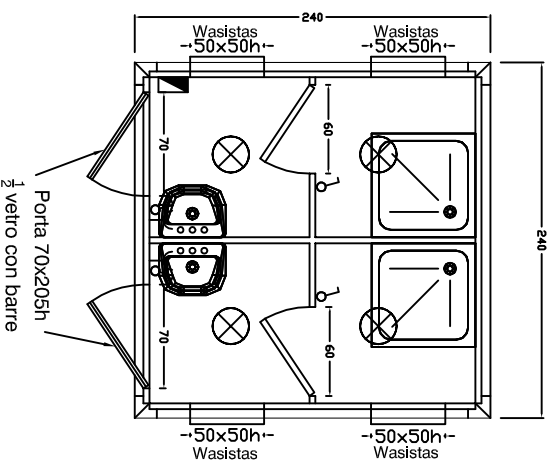


F E D C B A

WC18



Titolo		WC 18	
Compte			
Edition		1	
Sheet		1/1	
Itemref	Quantity	Title/Name, designation, material, dimension etc	
Designed by	Checked by	Approved by - date	Filename
F.P.	FPB		
Article No./Reference		Date	
Scale			

RevNo	Revision note	Date	Signature	Checked
1				
2				
3				
4				