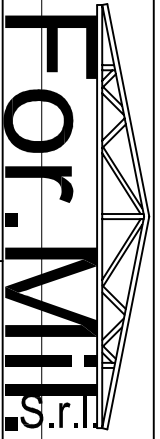
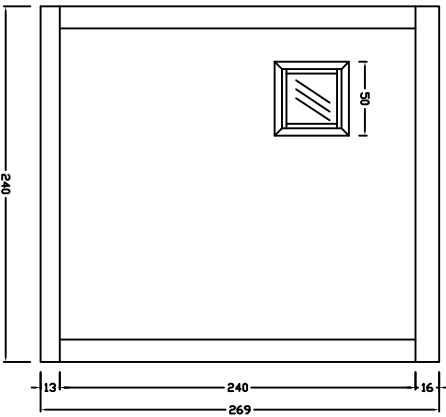
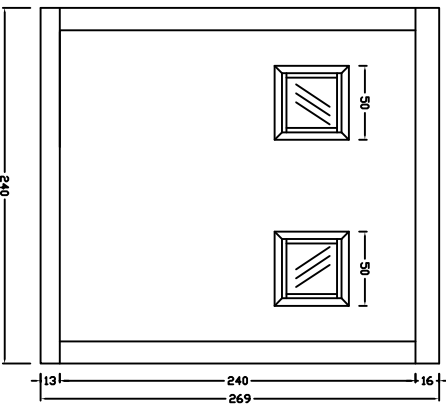
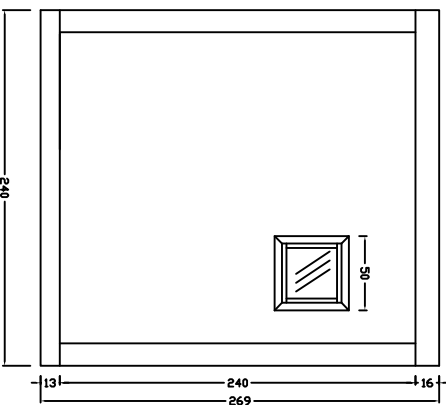
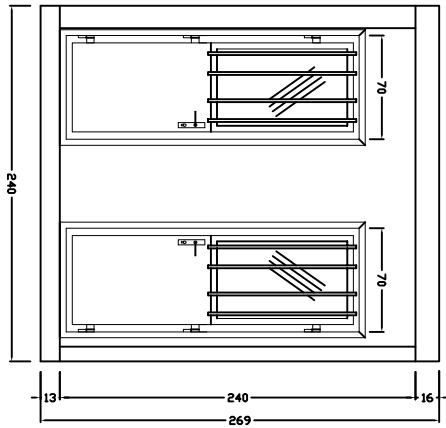
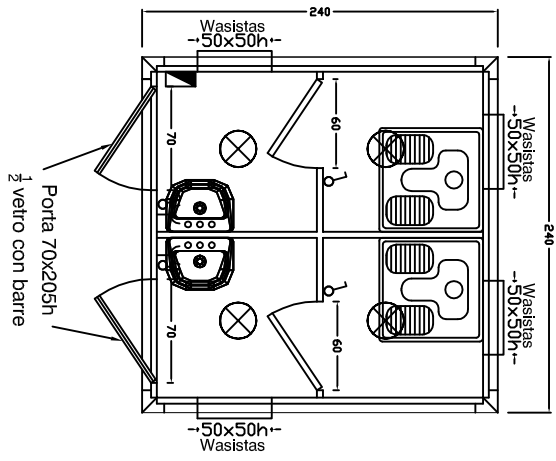


T F E D C B A

WC16



Titolo		WC 16	
Compte			
Edition		1	
Sheet		1/1	
Itemref	Quantity	Title/Name, designation, material, dimension etc	Article No./Reference
Designed by	Checked by	Approved by - date	Date
F.P.	FPB	Filename	Scale

RevNo	Revision note	Date	Signature	Checked
1				
2				
3				
4				