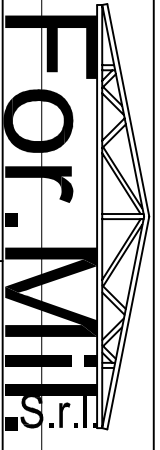
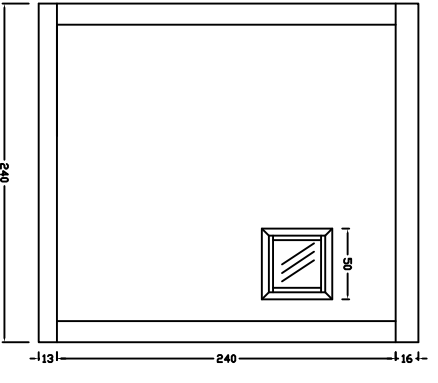
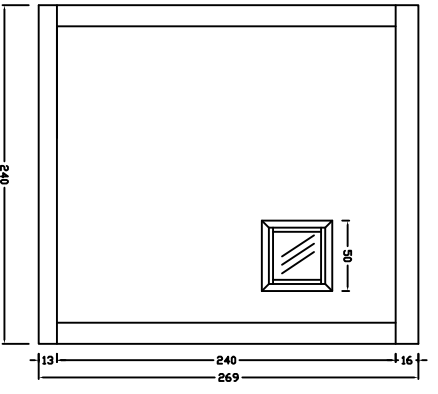
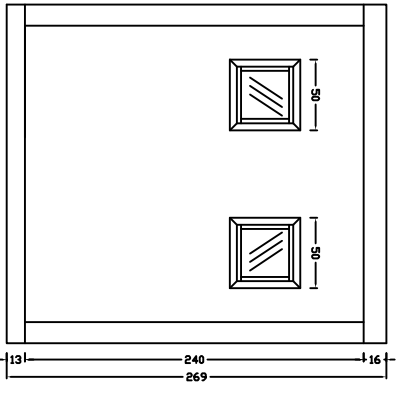
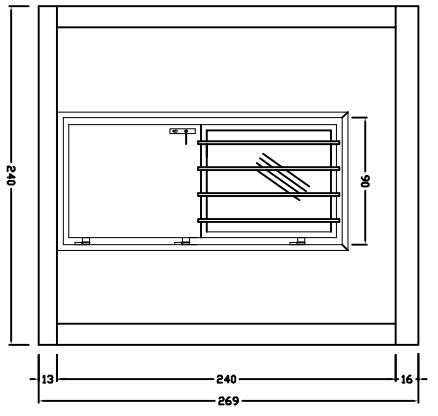
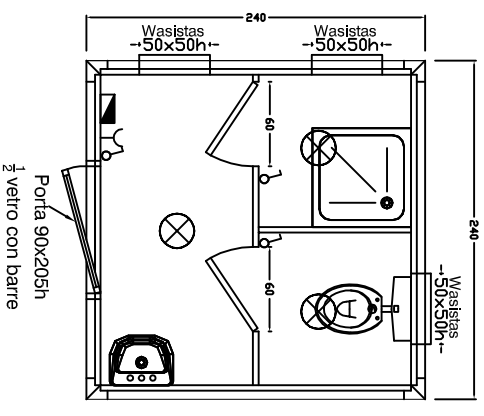


T F C B A

**WC14**



Titolo		WC 14	
Compte			
Edition		1	
Sheet		1/1	
Itemref	Quantity	Title/Name, designation, material, dimension etc	Article No./Reference
Designed by	F.P.	Checked by	FPB
Approved by - date		Filename	
Date		Date	
Scale		Scale	

RevNo	1	Revision note	
Date		Signature	
Checked	4		