

T

F

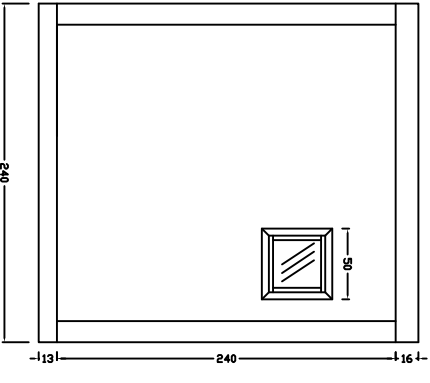
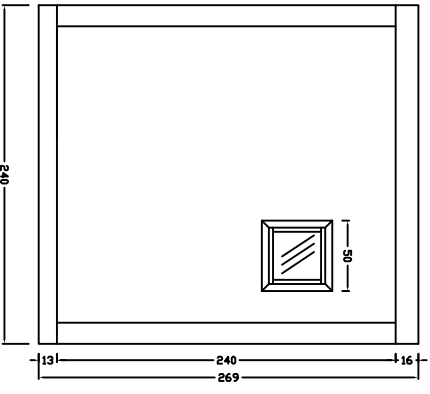
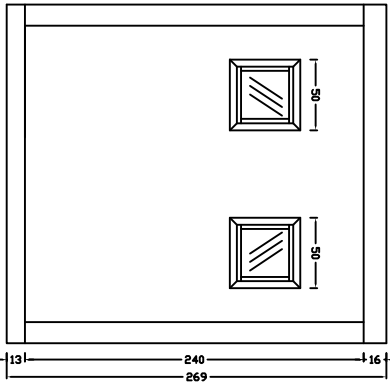
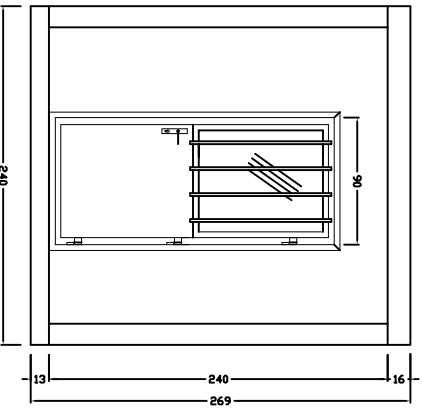
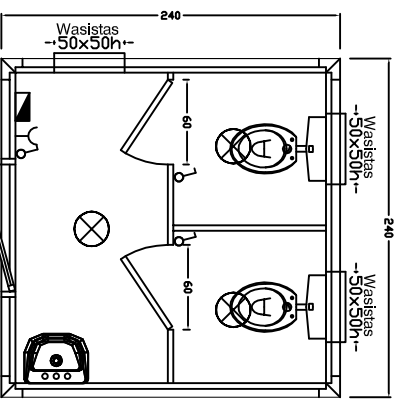
D

C

B

A

# WC10



# FOR.MIT S.r.l.

**Titolo**  
WC 10

**Compte**

**Edition**  
1

**Sheet**  
1/1

Item#	Quantity	Title/Name, designation, material, dimension etc	Article No./Reference
F.P.	Designed by	Checked by	Approved by - date
	FPB		Filename
			Date
			Scale

RevNo	Revision note
-------	---------------

Date	Signature	Checked
------	-----------	---------

4

3

2

1