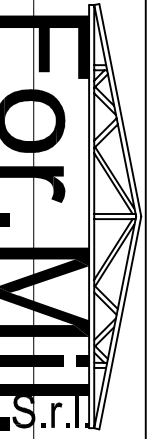
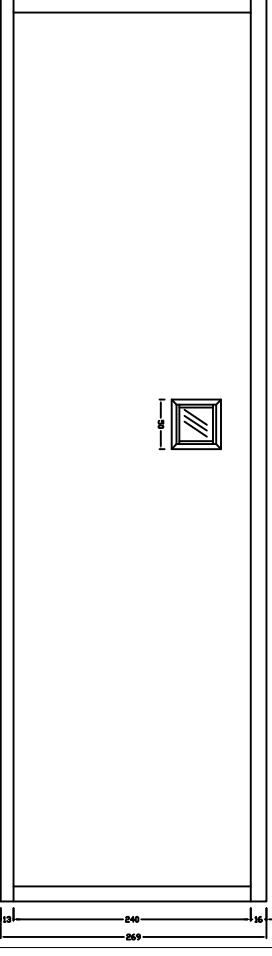
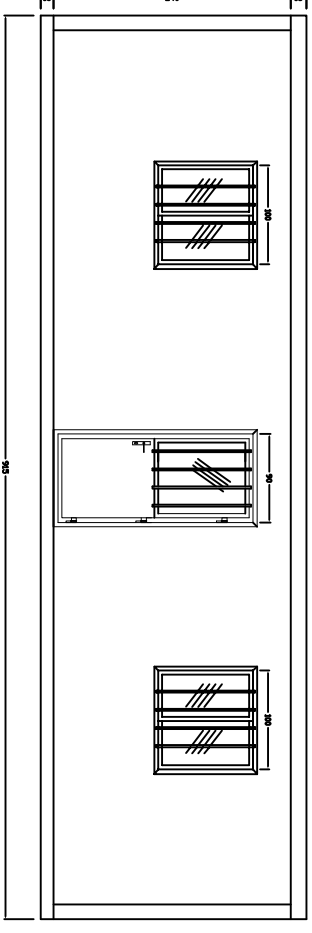
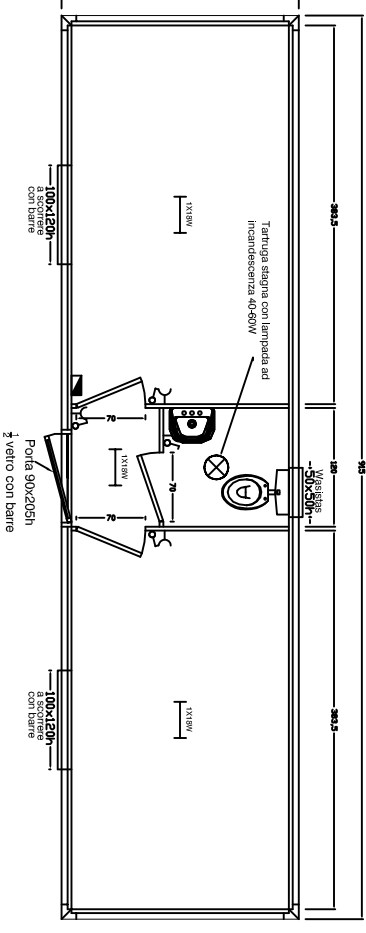


1 2 3 4

MS 32



Titolo
MS 32

Com.te	Com.te	
Edition	1	Sheet 1/1

Item#	Quantity	Title/Name, designation, material, dimension etc	Article No./Reference
Designed by	Checked by	Approved by - date	Filename
			Date
			Scale

Signature Checked

Date

1 RevNo Revision note

3

4