

T1

T2

D



C

B

A

MS 17

1015

Walsias  
-50x50h-

Tarruga stagna con lampada ad  
Incandescenza 40-60W

1x36W

1x36W

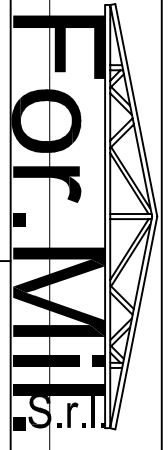
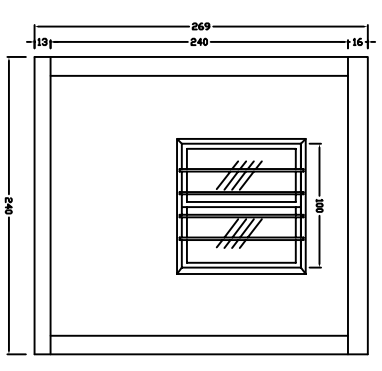
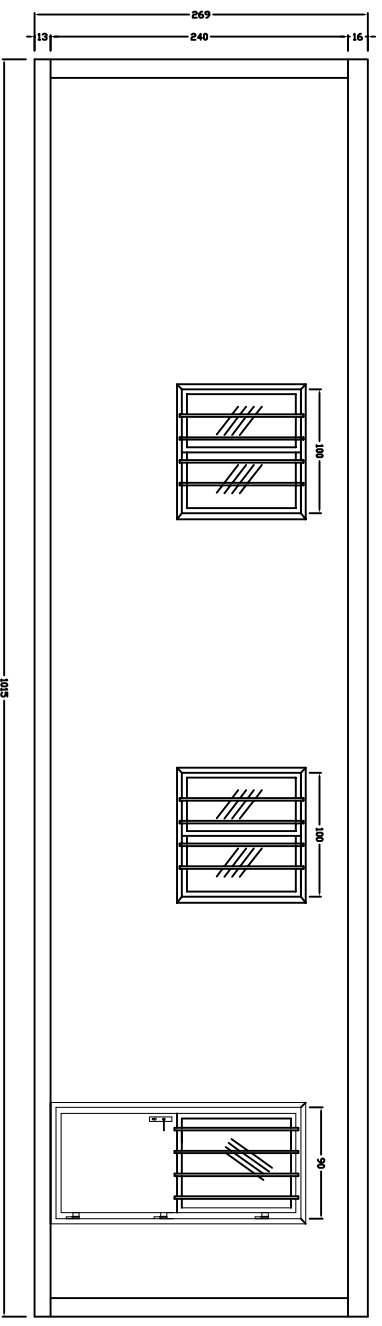
100x120h  
a scorrere  
con barre

70

100x120h  
a scorrere  
con barre

100x120h  
a scorrere  
con barre

Porta 90x205h  
1/2 vetro con barre



Titolo

MS 17

Commite

Edition

1

Sheet

1/1

Itemref Quantity

Designed by

Title/Name, designation, material, dimension etc

Checked by

Approved by - date

Filename

Article No./Reference

Date

Scale

Checked

Signature

4

Date

3

Revision note

RevNo

1

2

4

3

2

1