

T1

T2

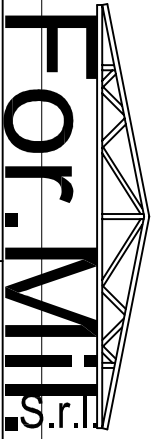
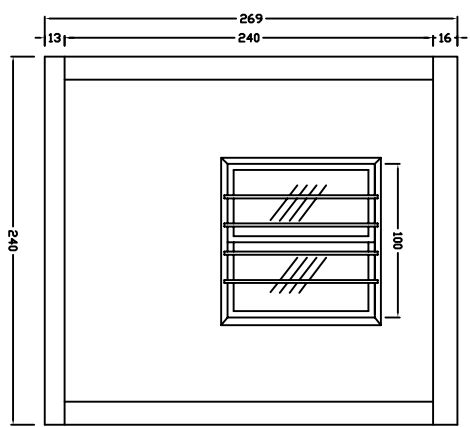
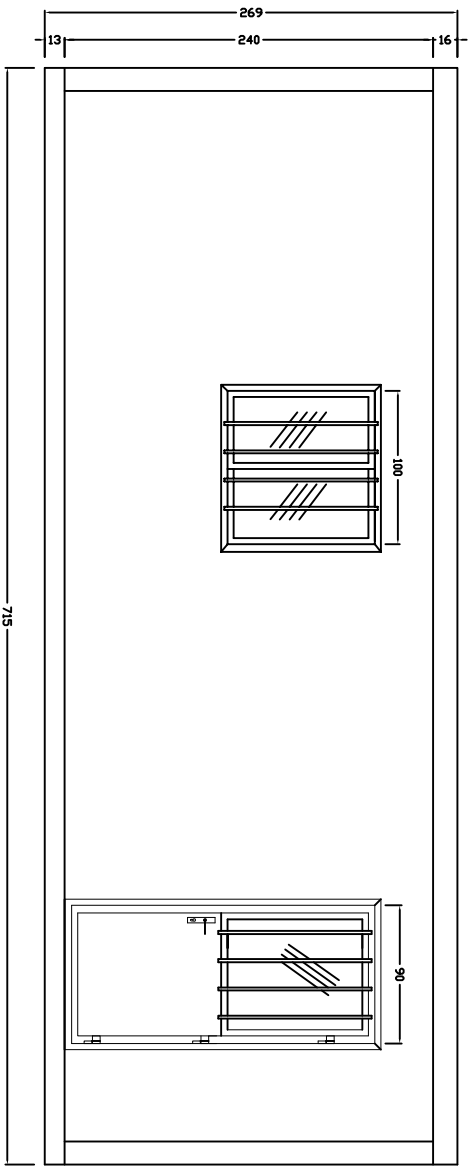
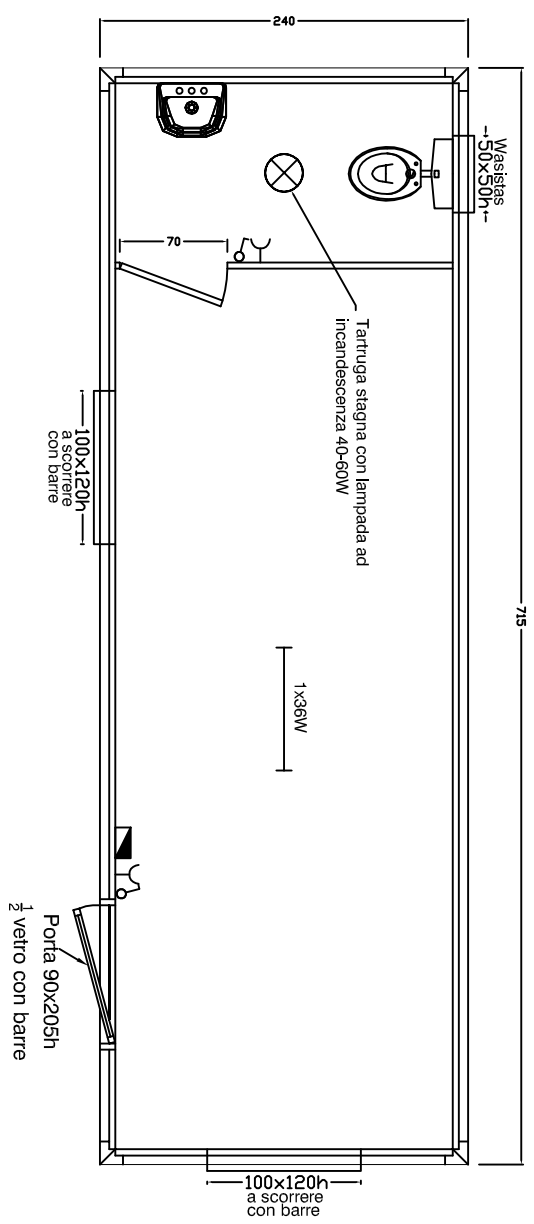
D

C

B

A

MS 14



Titolo		MS 14	
Compte			
Edition		1	
Sheet		1/1	

Item#	Quantity	Title/Name, designation, material, dimension etc	Article No./Reference
Designed by	Checked by	Approved by - date	Date
		Filename	Scale

RevNo	Revision note	Date	Signature	Checked
1				
2				
3				
4				