

T1

T1

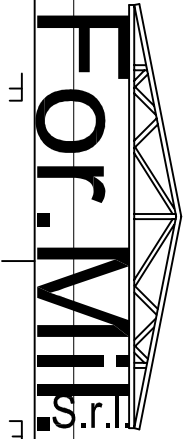
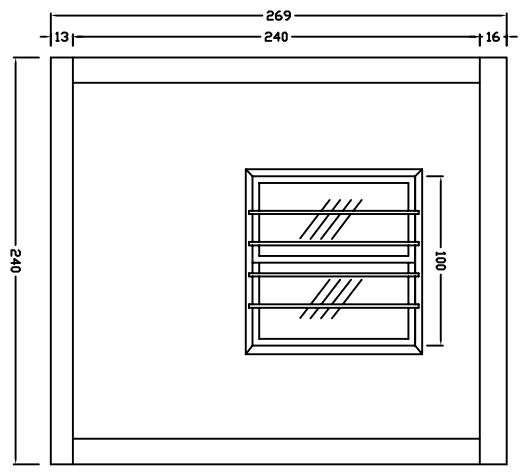
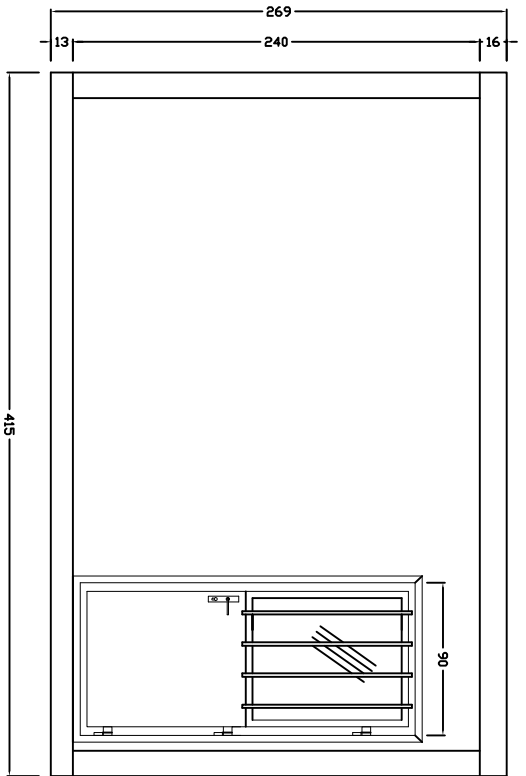
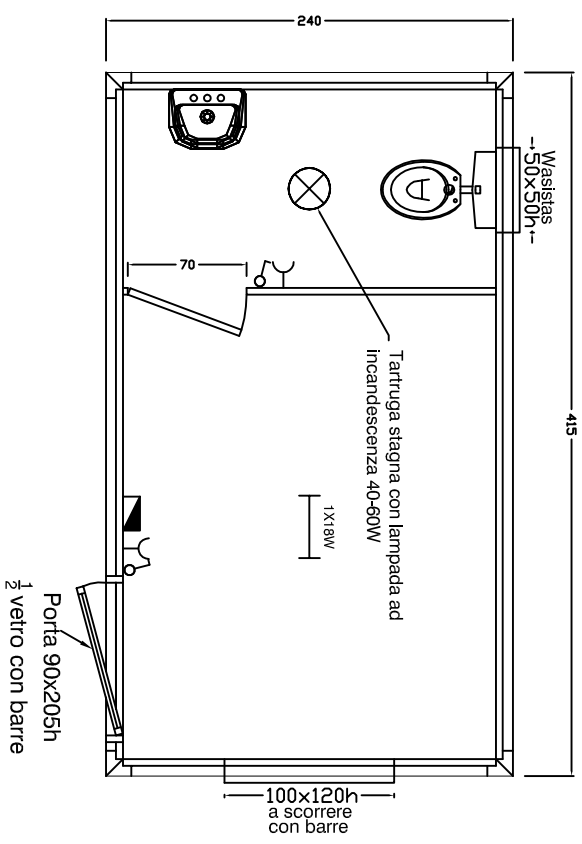
D

C

B

A

MS 11



Titolo		MS 11	
Compte			
Edition		1	
Sheet		1/1	

Itemref	Quantity	Title/Name, designation, material, dimension etc	Article No./Reference
Designed by	Checked by	Approved by - date	Date
Filename	Scale		

RevNo	Revision note	Date	Signature	Checked
1				
2				
3				
4				