

T1

F1

D

C

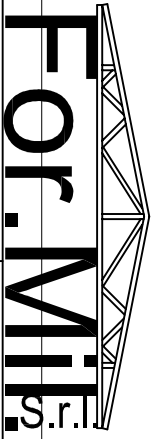
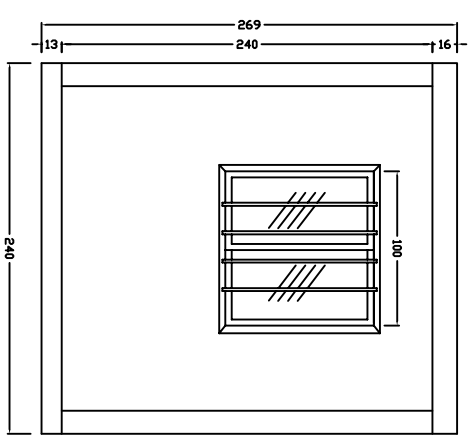
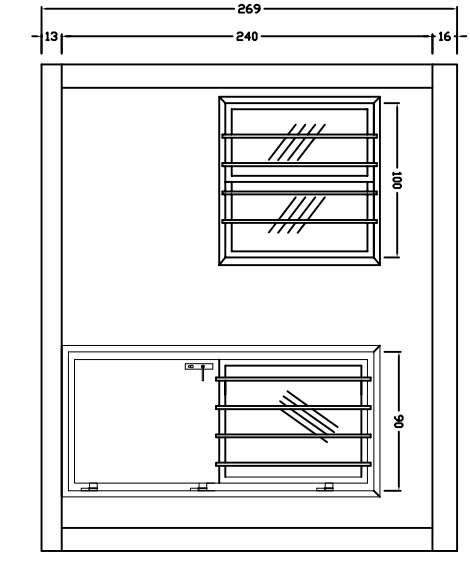
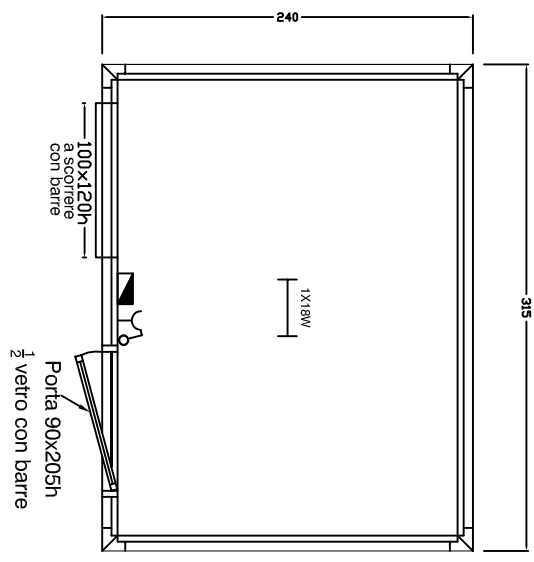
B

A

MS 1

315

1X18W



Titolo

MS 1

Commite

Compte

Edition 1

Sheet 1/1

Itemref Quantity

Designed by

Title/Name, designation, material, dimension etc

Checked by

Approved by - date

Filename

Article No./Reference

Date

Scale

RevNo

Revision note

Date

Signature

Checked

4

3

2

1

T1

F1

D

C

B

A